



CONTEMPORANEO

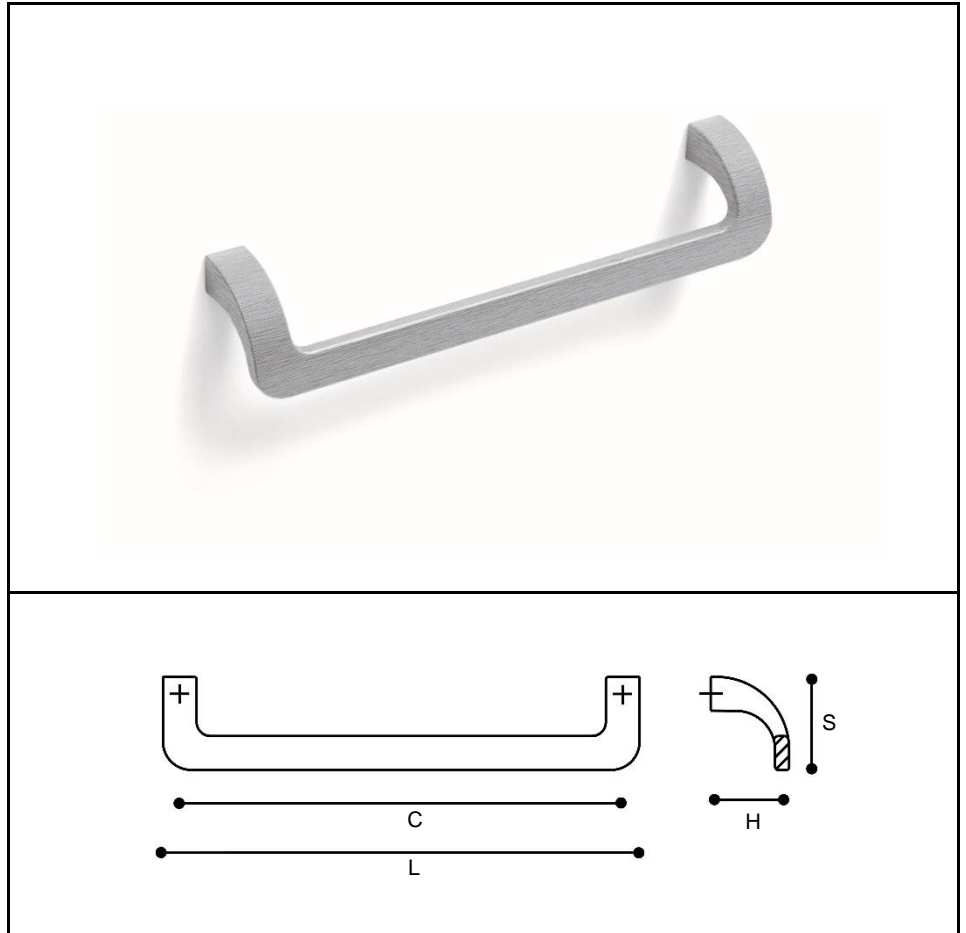
CONTEMPORARY

MANIGLIE PONTE

BRIDGE HANDLES

MODEL
12955

MAT.: ZINKRAL



Code	Width (L)	Holes Gap (C)	Height (H)	Depth (S)	Weight (gr.)
12955.B	106	96	28	33	80
12955.G	170	160	28	33	105
12955.N	330	320	28	33	170